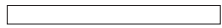


Supreme Yeshiva Shtender Assembly

Part List



Footrest



Middle Shelf

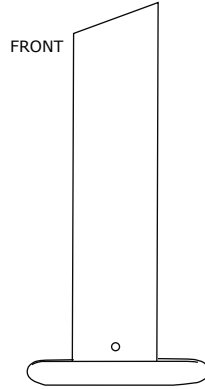
8 Short Bolts



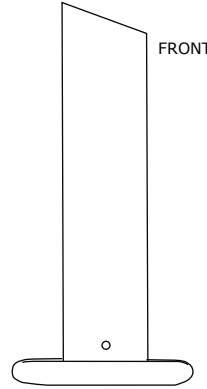
2 Long Bolts



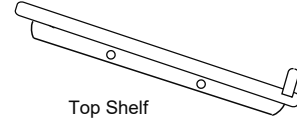
Plastic Caps



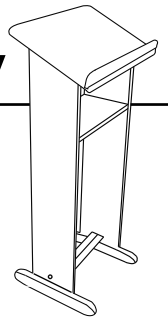
Left Side Panel



Right Side Panel



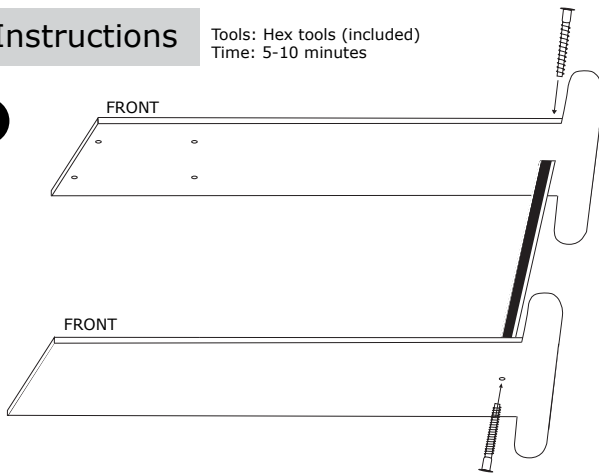
Top Shelf



Instructions

Tools: Hex tools (included)
Time: 5-10 minutes

1



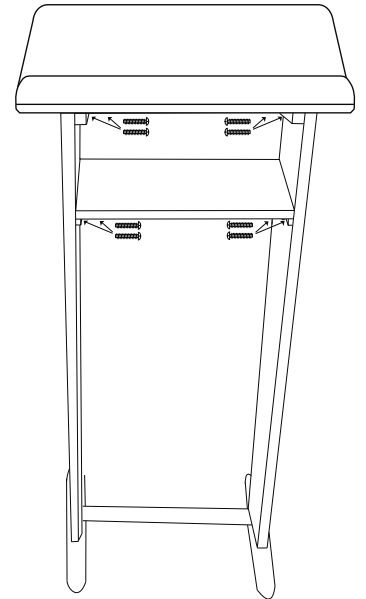
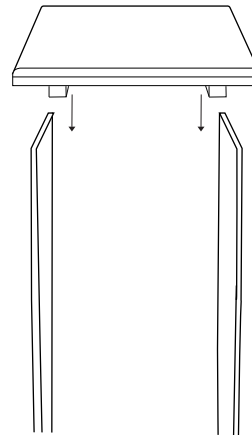
Lay both side panels on carpeted or protected floor with inner holes facing each other.

Using the long bolts (2), attach footrest to both side panels as shown. (Use black washers)

DO NOT TIGHTEN FULLY until AFTER Step 4!

4

Place the top shelf between side panels. Align holes, and secure with the short screws. (Use gold washers)



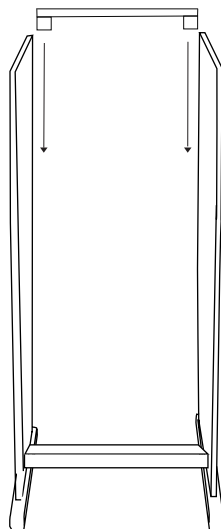
2

Stand up side panels

3

Place the middle shelf between side panels. Align holes, and secure with the short screws (Use gold washers)

DO NOT TIGHTEN FULLY until AFTER Step 4!



5

Tighten all screws of middle shelf and top shelf. Cover with the plastic caps. Tighten outer side panel bolts and cover with the 2 "X" plastic caps.

DO NOT OVER TIGHTEN SCREWS!